



# ERC and PR Series Remote Condensers

## Air Cooled Remote Condensers

### Features

- Operate in wide outdoor temperature range from -20°F to 120°F.
- Single or double circuit for single or double unit installations.
- Heavy gauge galvanized steel for corrosion resistance.
- Thermally protected fan motors.
- PVC coated steel fan guards.
- Direct drive fan blades.
- Maximizes ice production by dissipating heat away from ice machine.
- Minimizes air conditioning load.



ERC311



PRC241

ERC and PR Remote Condensers



### Line Sets

Choice of insulated, refrigerant line sets. Brazing required. Available in 10ft, 25ft, 40ft and 75ft lines. Please consult ice machine users manual for installation guidelines.



### Certification



### Warranty

- 3 years parts and labor on all components.
- Warranty valid in North, South & Central America for commercial installations.
- Contact factory for warranty in other regions.
- Residential Applications: 1 year parts and labor

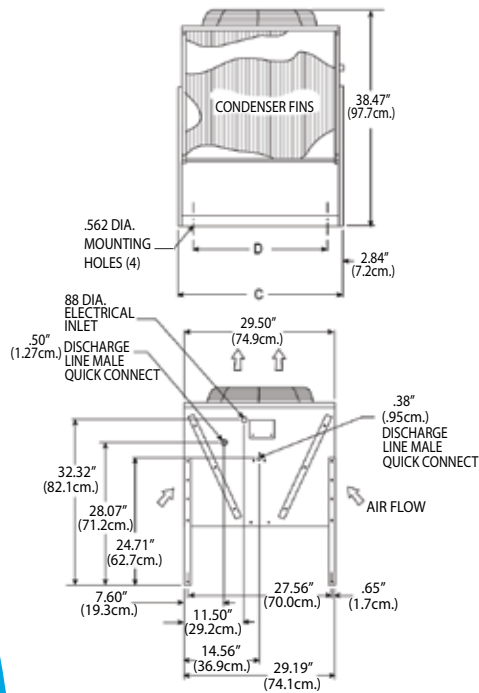


# ERC and PR Series Remote Condensers

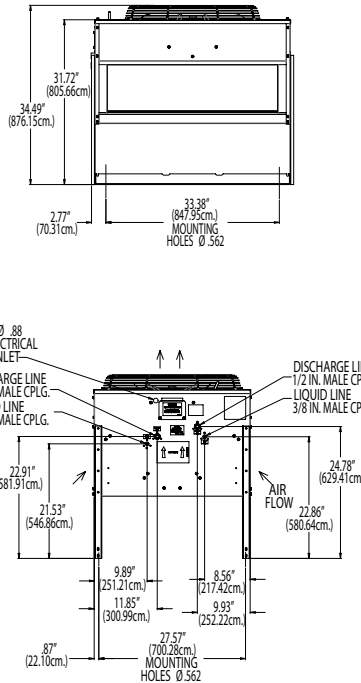
Air Cooled Remote Condensers

ERC and PR Remote Condensers

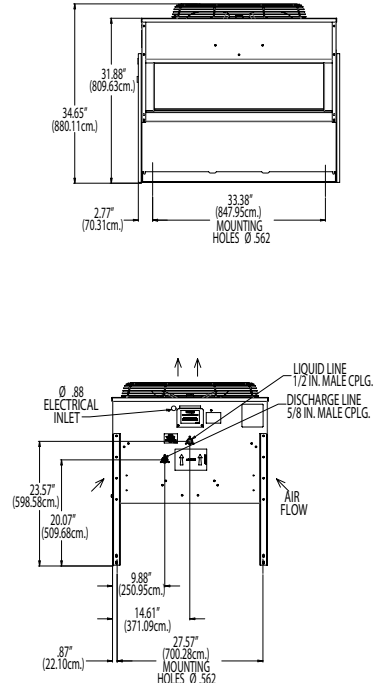
## ERC Series



## PR2C240



## PRC241



Operating Requirements: Electrical Voltage Min. -10% Max. +10%



## Specifications

Model Number	C Overall Length	D Mounting Hole Spacing	Basic Electrical Volts/Hz/Phase	Circuits	Min. Circuit Ampacity	Contains Headmaster?	Shipping Weight lb/kg	Shipping Carton W x D x H
ERC111-1	29.125"	23.54"	115/60/1	1	2.7	Yes	95/43	32" x 31" x 34" (81.3 x 78.7 x 86.4 cm)
ERC311-32	29.125"	23.54"	208-230/60/1	1	1.25	Yes	130/59	32" x 34" x 34" (81.3 x 86.4 x 86.4 cm)
ERC611-32	37.75"	32.16"	208-230/60/1	1	1.9	Yes	140/64	31" x 33" x 39" (78.7 x 83.8 x 99.1 cm)

Note: All units have a galvanized finish, are 29.5" wide and 38.5" high with legs. These units are designed to be powered by the ice machine they are connected to. The minimum circuit ampacity and maximum fuse size of the ice machine includes the requirements of the remote condenser. All but the ERC611 have 1/2" discharge and 3/8" liquid line connections. The ERC611 has a 5/8" discharge line connection.



## Specifications

Model Number	Overall Length	Mounting Hole Spacing	Basic Electrical Volts/Hz/Phase	Circuits	Min. Circuit Ampacity	Contains Headmaster?	Shipping Weight lb/kg	Shipping Carton W x D x H
PR2C240-32	38.91"	33.38"	208-230/60/1	2	1.9	No	135/61	32" x 40.5" x 27.5" (81.3 x 102.9 x 69.9 cm)
PRC241-32	38.91"	33.38"	208-230/60/1	1	1.9	Yes	135/61	

Note: This unit has a galvanized finish, is 23.8125" wide and has adjustable height legs. Heights are 12", 18" and 24". Total height with legs is 29.25" or 35.25" or 41.25". This unit is designed to be powered by the ice machine it is connected to. The minimum circuit ampacity and maximum fuse size of the ice machine includes the requirements of the remote condenser.



## Accessories

- BRTE10 - 10ft (3.0 m) line set, brazing required
- BRTE25 - 25ft (7.6 m) line set, brazing required
- BRTE40 - 40ft (12.2 m) line set, brazing required
- BRTE75 - 75ft (22.9 m) line set, brazing required
- KTE4 - Tube end kit - contains 4 quick connect fittings for any RTE line set
- BRTEL25 - 25ft (7.6m) line set, brazing required. Use with C2648 remote cooled units.
- BRTEL40 - 40ft (12.2m) precharged R-404A tubing. Use with C2648 remote cooled units.
- BRTEL75 - 75ft (22.9m) precharged R-404A tubing. Use with C2648 remote cooled units.
- KTEL4 - Tube end kit - contains 4 quick connect fittings for RTEL tubing.
- KERCF - Air filter for ERC111 or ERC311.

• 101 Corporate Woods Parkway, Vernon Hills, IL 60061 •

• 1-800-SCOTSMAN • Fax: 847-913-9844 • www.scotsman-ice.com • customer.relations@scotsman-ice.com •

© 2018 Scotsman Ice Systems.

**Scotsman**

SI3-SS-ERCPR 01-18